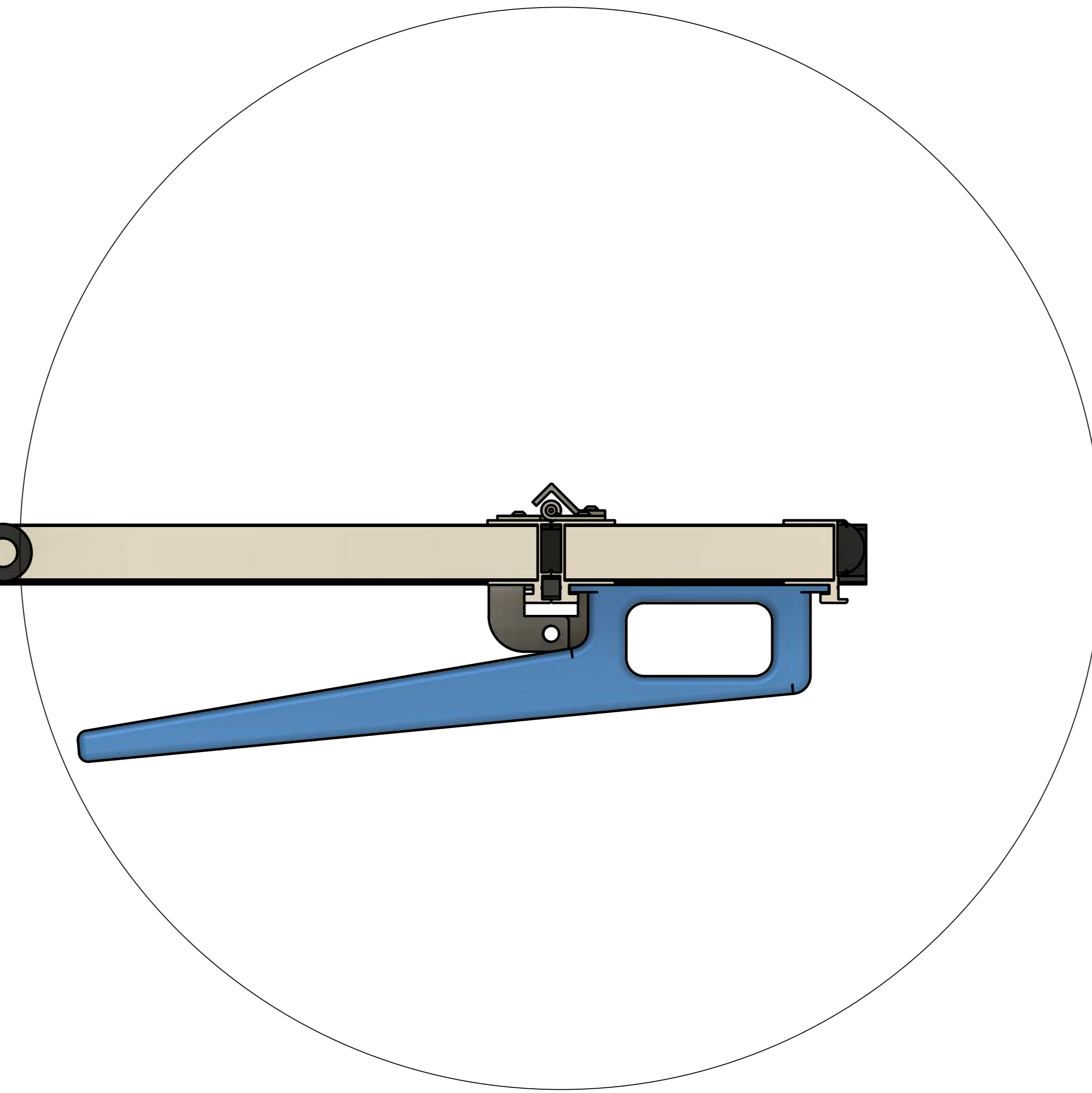
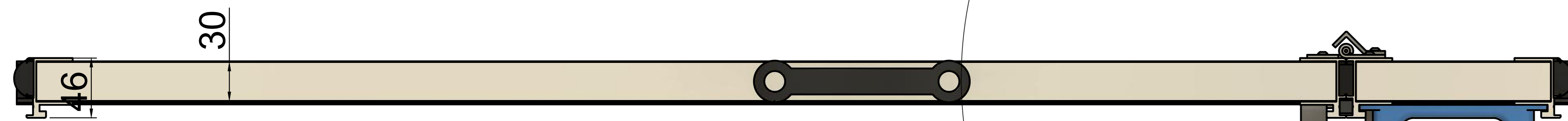
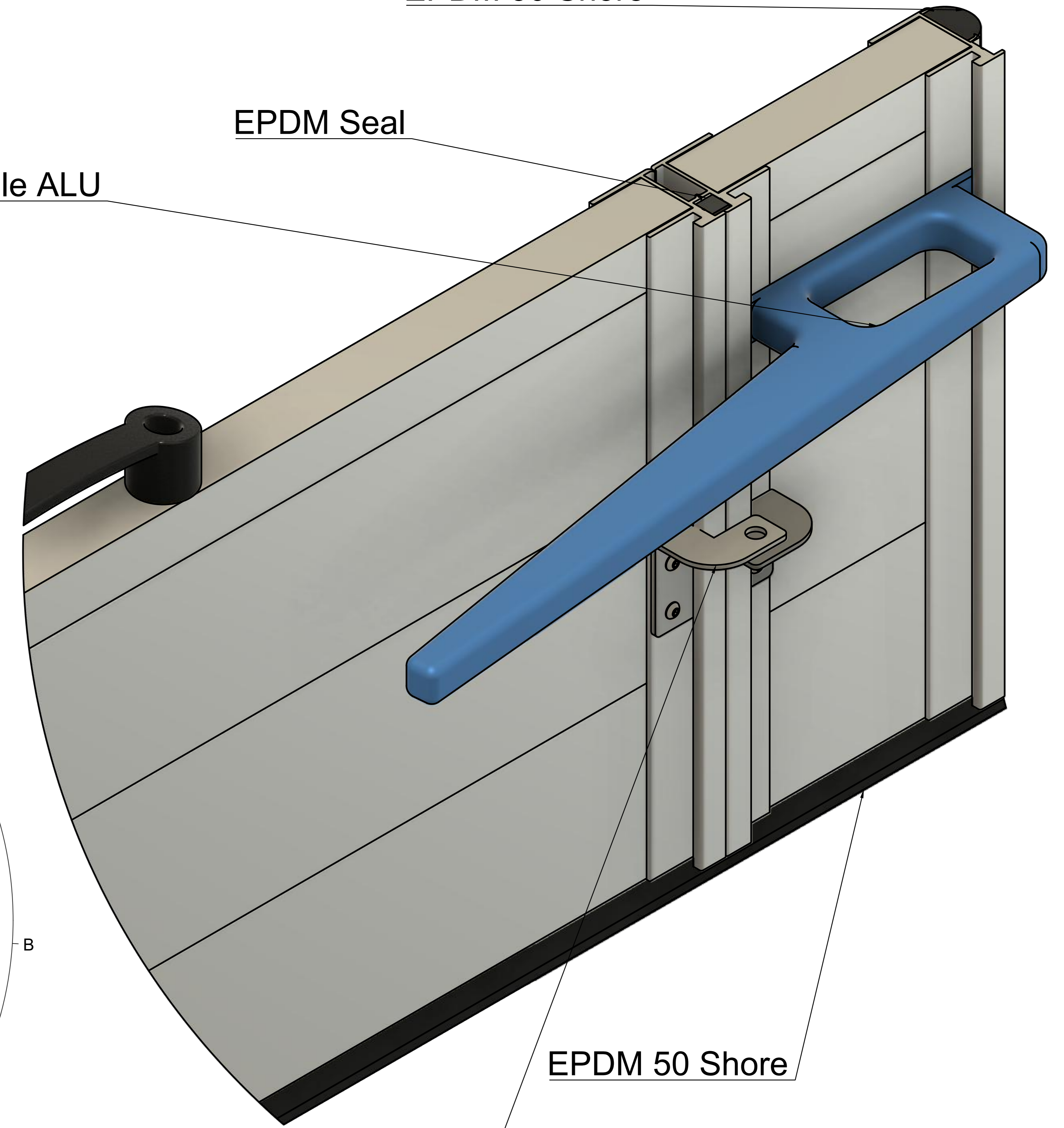


Handle ALU

EPDM Seal

A (1:1)
EPDM 50 Shore

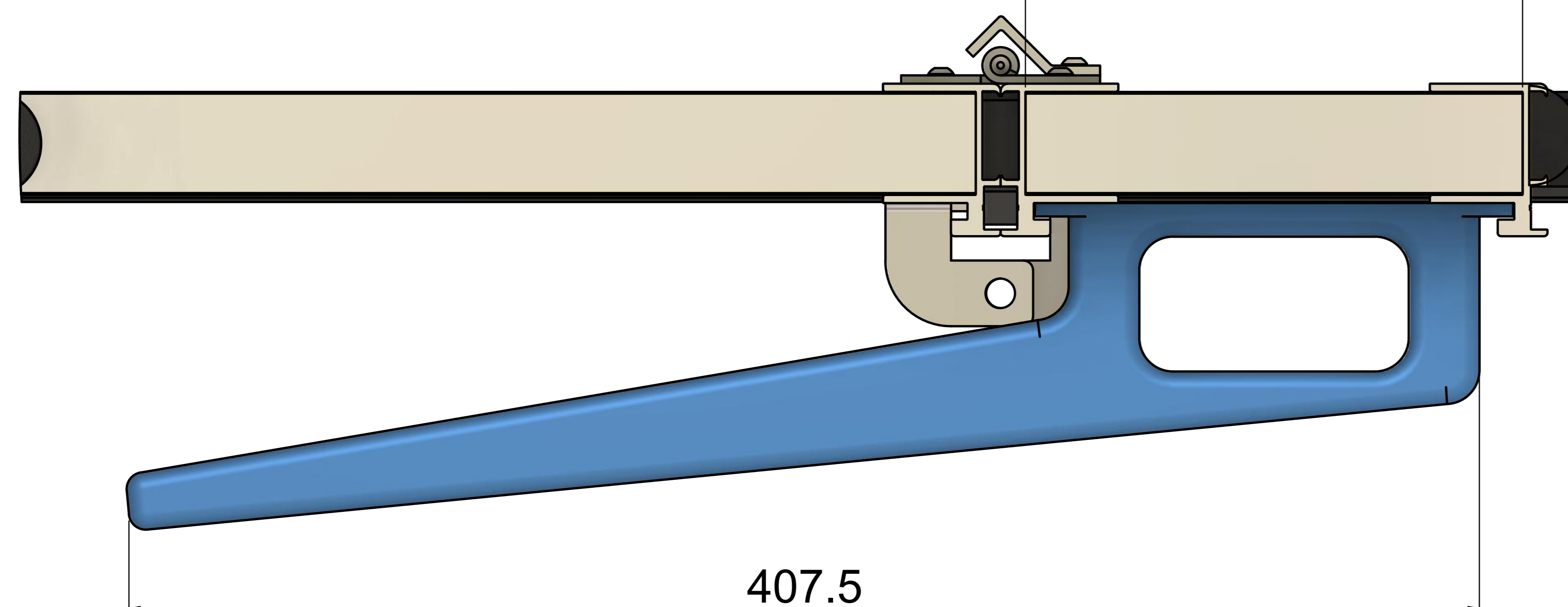


Lock Inox

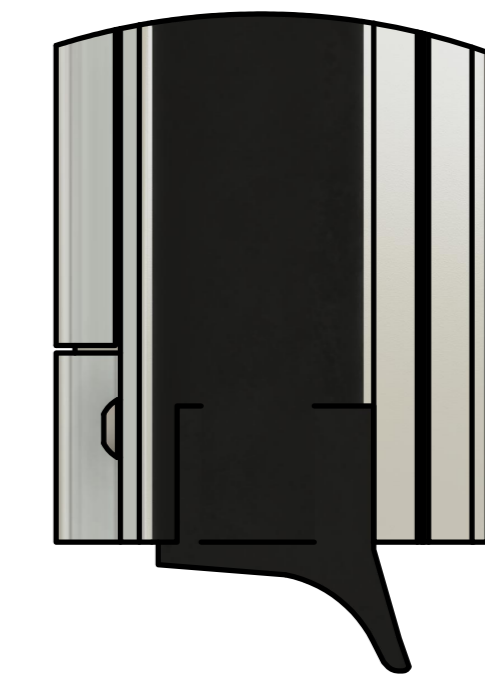
EPDM 50 Shore

B (1:1)

150



C (1:1)



Dept:	Technical reference	05/03/2021	Approved by
	Document type		Document status
			DWG No.
			Rev.
			Date of issue
			Sheet
			1/1